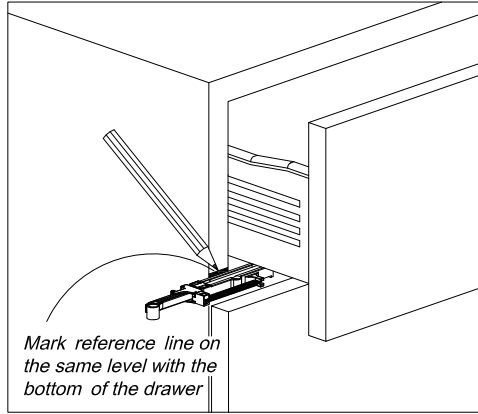


Soft close device 16.10.610

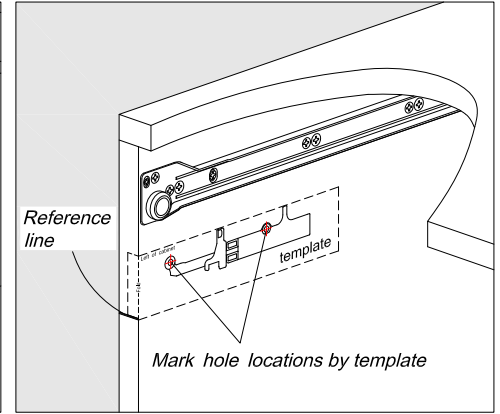
APPLICATIONS:

- Metal Box of wooden furniture
- Width of gap 15.5mm per side.

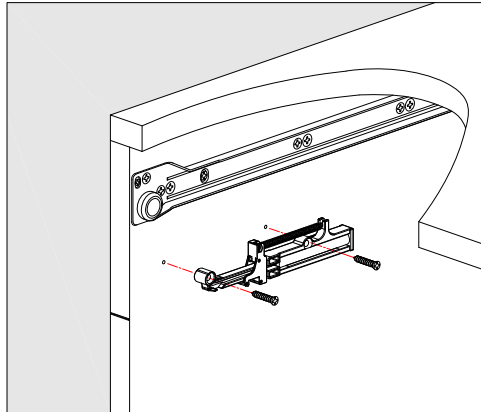
Step 1: Mark reference line



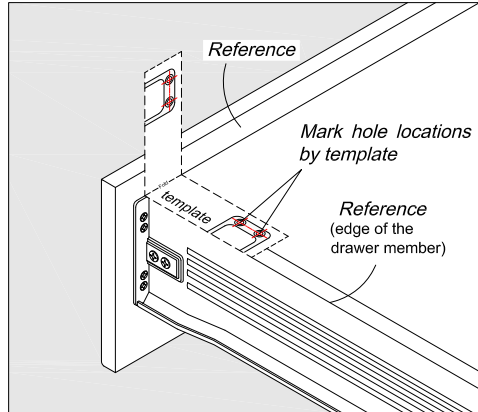
Step 2: Mark hole locations



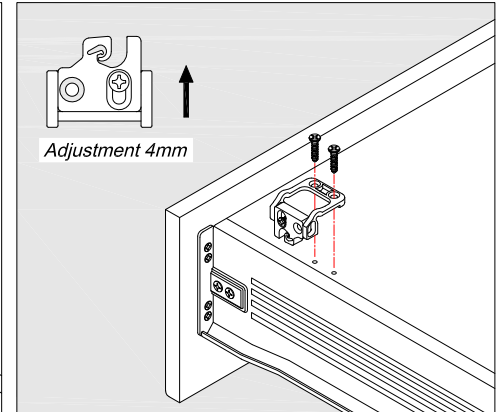
Step 3: Attach the "Body" to cabinet



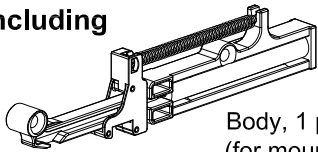
Step 4: Mark hole locations



Step 5: Attach the "Adapter" to drawer



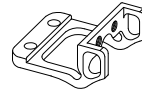
Including



Body, 1 piece
(for mounting to cabinet)



Follower, 1 piece
(for mounting to adapter)



Adapter, 1 piece
(for mounting to drawer)



M4x 10mm L, 1 piece



∅4x 18mm L, 4 pieces

